



UNIVERSITY OF CAMBRIDGE INTERNATIONAL EXAMINATIONS
International General Certificate of Secondary Education

www.PapaCambridge.com

COMBINED SCIENCE

0653/11

Paper 1 Multiple Choice

May/June 2012

45 minutes

Additional Materials: Multiple Choice Answer Sheet
 Soft clean eraser
 Soft pencil (type B or HB is recommended)

* 4 7 7 8 3 1 2 2 0 1 *

READ THESE INSTRUCTIONS FIRST

Write in soft pencil.

Do not use staples, paper clips, highlighters, glue or correction fluid.

Write your name, Centre number and candidate number on the Answer Sheet in the spaces provided unless this has been done for you.

There are **forty** questions on this paper. Answer **all** questions. For each question there are four possible answers **A, B, C** and **D**.

Choose the **one** you consider correct and record your choice in **soft pencil** on the separate Answer Sheet.

Read the instructions on the Answer Sheet very carefully.

Each correct answer will score one mark. A mark will not be deducted for a wrong answer.

Any rough working should be done in this booklet.

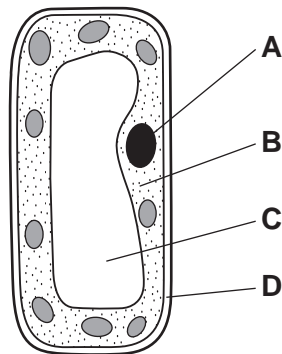
A copy of the Periodic Table is printed on page 20.

This document consists of **17** printed pages and **3** blank pages.

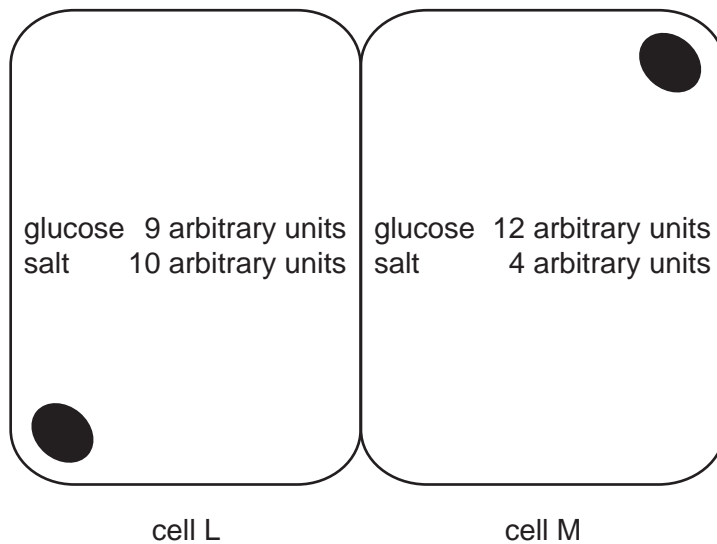


- 1 The diagram shows a cell from the mesophyll of a leaf.

Which part contains DNA?



- 2 The diagram shows two cells in contact with one another, and the concentrations of glucose and salt in each of the cells.



Which movements would occur by diffusion?

- A** glucose from cell L to cell M, salt from M to L
B glucose and salt from L to M
C glucose from cell M to cell L, salt from L to M
D glucose and salt from M to L

3 The statements are about enzymes.

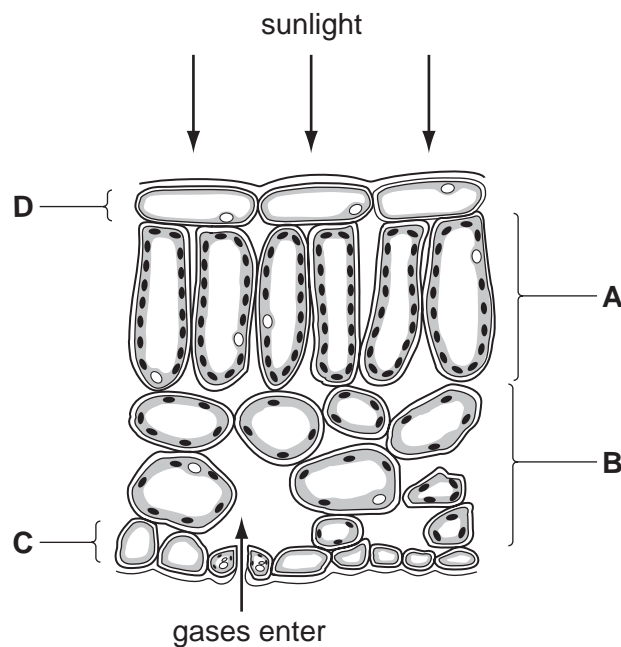
- 1 act as catalysts
- 2 can be denatured by heat
- 3 composed of complex carbohydrates
- 4 not affected by pH
- 5 produced by cells

Which statements are correct?

- A** 1, 2 and 5 **B** 1, 4 and 5 **C** 2, 3 and 4 **D** 3 and 5 only

4 The diagram shows some cells in a leaf of a green plant.

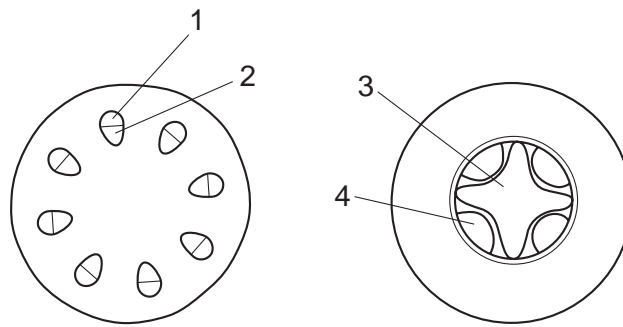
In which layer of cells does most photosynthesis occur?



5 Which substance must be present in the diet to prevent scurvy?

- A** calcium
- B** iron
- C** vitamin C
- D** vitamin D

- 6 Which process in the human body does **not** depend on energy from respiration?
- A cell division
 B diffusion
 C muscle contraction
 D passage of a nerve impulse
- 7 Through which vessel does oxygenated blood enter the heart?
- A aorta
 B pulmonary artery
 C pulmonary vein
 D vena cava
- 8 The diagram shows a cross-section of a stem and a cross-section of a root.

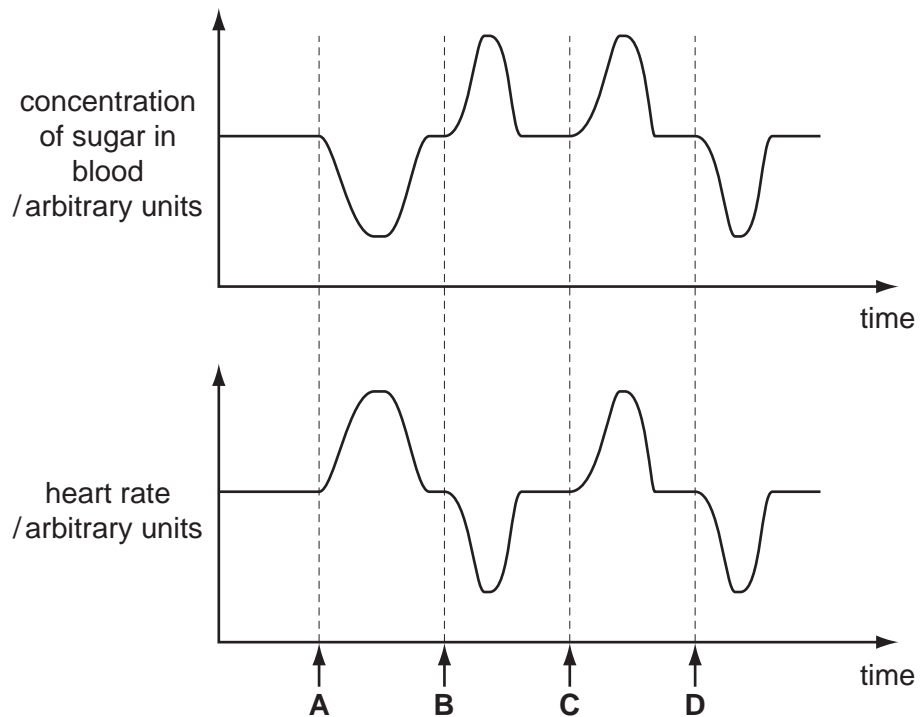


Which row identifies the tissues in the stem and root?

	tissues			
	1	2	3	4
A	phloem	xylem	phloem	xylem
B	phloem	xylem	xylem	phloem
C	xylem	phloem	phloem	xylem
D	xylem	phloem	xylem	phloem

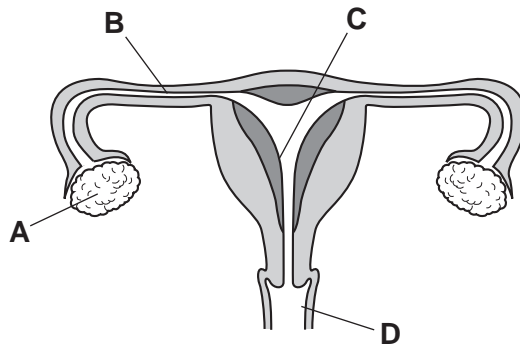
- 9 The graphs show changes in the rate of heartbeat and in the concentration of sugar over the same period of time.

When was adrenaline secreted?

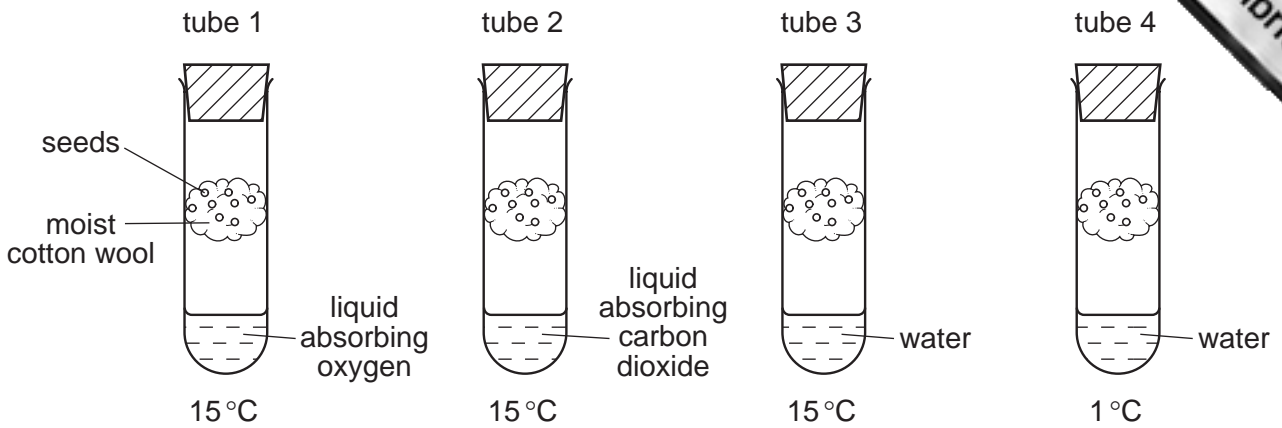


- 10 The diagram shows the female reproductive system.

Where does successful implantation normally occur?



11 The diagram shows four test-tubes set up to investigate the conditions needed for germination.



In which test-tubes will the seeds germinate?

- A** 1 and 2 **B** 2 and 3 **C** 3 and 4 **D** 4 and 1

12 Which process takes carbon dioxide out of the air?

- A** combustion
B decomposition
C photosynthesis
D plant respiration

13 Which are possible harmful effects of deforestation?

	global warming	species extinction
A	✓	✓
B	✓	x
C	x	✓
D	x	x

14 Which substance is liquid at 25°C?

	melting point /°C	boiling point /°C
A	-182	-161
B	-100	80
C	-77	-34
D	44	280

- 15 Two oxides have the formulae CaO and NO.

Which statement about the bonding in these oxides is correct?

- A Both CaO and NO are covalent.
- B Both CaO and NO are ionic.
- C CaO is covalent and NO is ionic.
- D CaO is ionic and NO is covalent.

- 16 Information about two minerals is given below.

name of mineral	formula
anorthite	$\text{CaAl}_2\text{Si}_2\text{O}_8$
orthoclase	KAlSi_3O_8

Which information about anorthite and orthoclase is correct?

- A Both of them contain the same number of atoms of aluminium.
- B Both of them contain the same number of atoms of oxygen.
- C Orthoclase contains the same number of atoms of both aluminium and silicon.
- D Orthoclase contains twice as many atoms of aluminium as anorthite.

- 17 The equations show some chemical reactions.

- 1 copper + oxygen \rightarrow copper oxide
- 2 copper carbonate \rightarrow copper oxide + carbon dioxide
- 3 copper oxide + carbon \rightarrow copper dioxide + water

In which equations has the underlined substance been reduced?

- A 1 only B 1 and 2 C 2 and 3 D 3 only

- 18 Which would decrease the speed of a reaction?

- A adding a suitable catalyst
- B decreasing the concentration
- C decreasing the particle size
- D raising the temperature

19 Four pairs of oxides are listed.

- W calcium oxide and sodium oxide
 X calcium oxide and sulfur dioxide
 Y nitrogen dioxide and sodium oxide
 Z sulfur dioxide and nitrogen dioxide

Which pairs of oxides would neutralise each other?

- A** pair W and pair X
B pair W and pair Z
C pair X and pair Y
D pair Y and pair Z
- 20 Aqueous sodium hydroxide and aqueous ammonia are added separately to aqueous solutions X and Y.

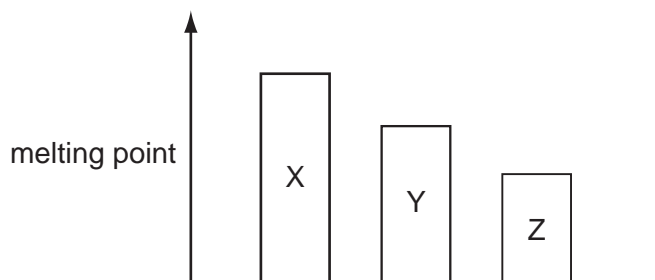
The results are shown below.

	aqueous sodium hydroxide added	aqueous ammonia added
solution X	light blue precipitate, insoluble in excess	light blue precipitate, soluble in excess to form a dark blue solution
solution Y	green precipitate, insoluble in excess	green precipitate, insoluble in excess

Which metals ions are present in solution X and solution Y?

	solution X	solution Y
A	Cu(II)	Fe(III)
B	Cu(II)	Fe(II)
C	Fe(II)	Cu(II)
D	Fe(III)	Cu(II)

21 The diagram shows the trend in melting point for three elements X, Y and Z.



What could X, Y and Z be?

	X	Y	Z
A	Cl	Ar	K
B	Cl	Br	I
C	H	Li	C
D	Li	Na	K

22 The table gives information about four elements.

Which element is most likely to be a transition metal?

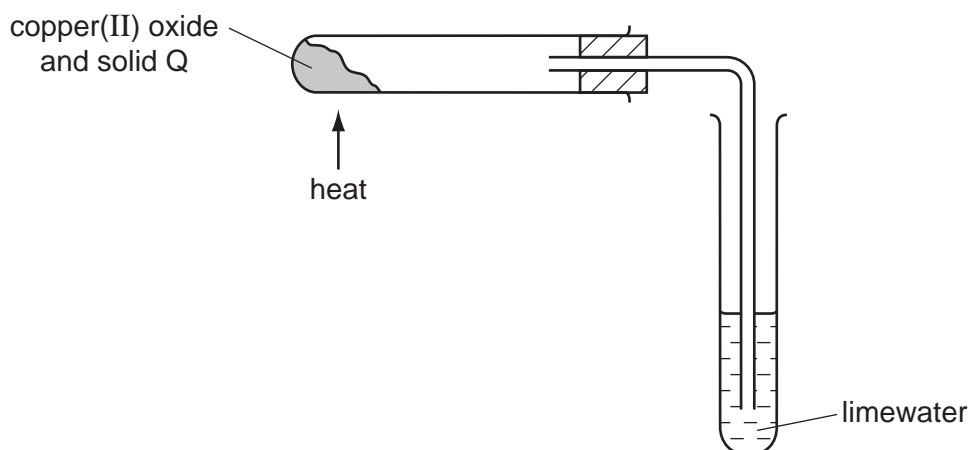
	appearance of its compound	density (g/cm ³)
A	coloured	0.97
B	coloured	7.2
C	white	0.97
D	white	7.2

23 Which property of a metal determines the method used to extract the metal from its ore?

- A** the melting point of the metal
- B** the position of the metal in the Periodic Table
- C** the reactivity of the metal
- D** the relative atomic mass, A_r , of the metal

24 Copper(II) oxide is mixed with a solid Q.

On heating the mixture, a reaction occurs and the limewater turns milky.



What is solid Q?

- A carbon
- B iron
- C sulfur
- D zinc

25 The diagrams show molecules of four gases present in clean air. Different circles represent atoms of different elements.



Which elements are shown as ● and ○?

	●	○
A	hydrogen	nitrogen
B	hydrogen	oxygen
C	oxygen	hydrogen
D	oxygen	nitrogen

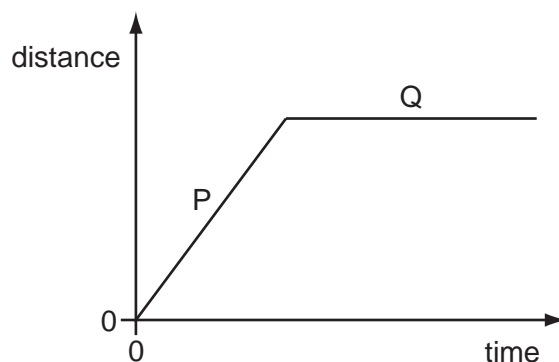
26 Which property of the compounds in petroleum is used to separate it into useful fractions?

- A boiling point
- B density
- C melting point
- D solubility

27 Which equation shows the complete combustion of a hydrocarbon?

- A $C_2H_4 + 2O_2 \rightarrow 2CO + 2H_2O$
- B $C_2H_4 + 3O_2 \rightarrow 2CO_2 + 2H_2O$
- C $C_2H_6O + 2O_2 \rightarrow 2CO + 3H_2O$
- D $C_2H_6O + 3O_2 \rightarrow 2CO_2 + 3H_2O$

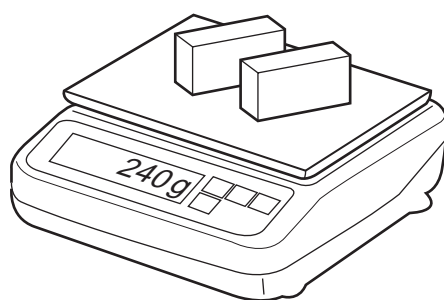
28 The graph is the distance/time graph for a bicycle journey.



Which row describes the behaviour of the bicycle in part P and the behaviour of the bicycle in part Q of the graph?

	part P	part Q
A	moving at constant speed	moving at constant speed
B	moving at constant speed	not moving
C	moving at increasing speed	moving at constant speed
D	moving at increasing speed	not moving

- 29 A shop-keeper places two identical blocks of cheese on a set of scales and notices that the combined mass is 240g. Each block measures 2.0 cm × 5.0cm × 10.0 cm.



What is the density of the cheese?

- A 0.42g/cm³ B 0.83g/cm³ C 1.2g/cm³ D 2.4g/cm³
- 30 In which situation is gravitational energy converted into kinetic energy?
- A diving from a high platform
 B kicking a football along the ground
 C lifting a book on to a high shelf
 D pumping water up to a storage tank
- 31 The temperature of a liquid is below its boiling point. The liquid evaporates. Which row is correct about where the evaporation occurs and what effect this has on the temperature of the liquid?

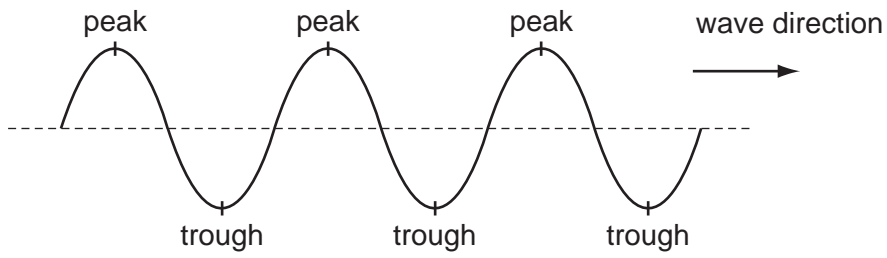
	where evaporation occurs	effect on the temperature of the liquid
A	in all parts of the liquid	temperature falls
B	in all parts of the liquid	temperature rises
C	only on the surface of the liquid	temperature falls
D	only on the surface of the liquid	temperature rises

- 32 Hot drinks may be bought in cups with a plastic lid.

What is the effect of the lid on heat transfer?

- A It mainly reduces conduction.
 B It mainly reduces convection.
 C It mainly reduces radiation.
 D It reduces conduction, convection and radiation equally.

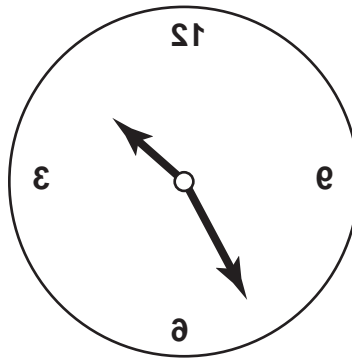
33 The diagram shows the peaks and troughs of a water wave.



What is the wavelength of the water wave?

- A the depth of one wave trough
- B the distance between one wave trough and the next
- C the distance travelled by one wave trough in one second
- D the number of wave troughs passing a point in one second

34 The image of a clock face as seen in a plane mirror is shown.

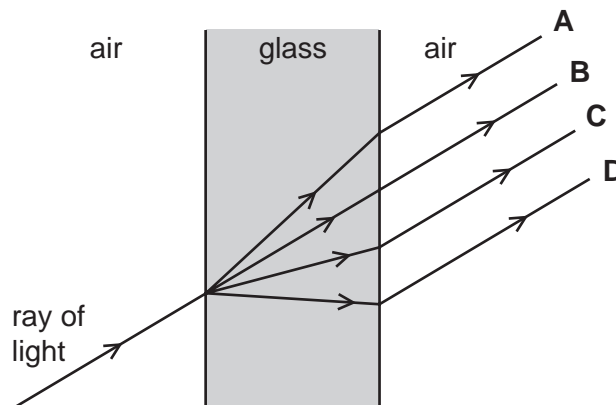


What is the time on the clock?

- A 1.25
- B 1.35
- C 10.25
- D 10.35

35 A ray of light passes through a glass window.

Which path does it take?

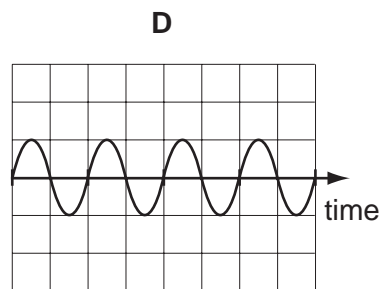
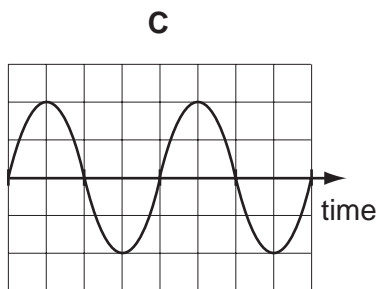
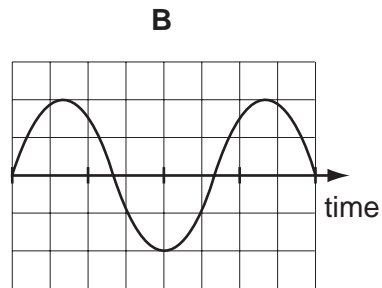
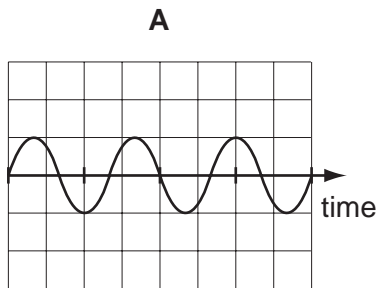


36 Which statement about the electromagnetic spectrum is correct?

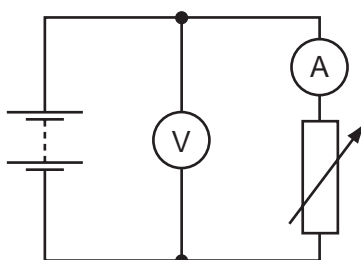
- A Gamma rays have the highest frequency.
- B Microwaves have the smallest wavelength.
- C Ultraviolet waves have the largest wavelength.
- D Visible light waves have the lowest frequency.

37 The diagrams represent four different sound waves. The scales are the same in all the diagrams.

Which sound has the lowest pitch?



- 38 The diagram represents a circuit which includes a battery, an ammeter, a voltmeter and a variable resistor.



What happens to the readings on the meters as the resistance of the variable resistor is increased?

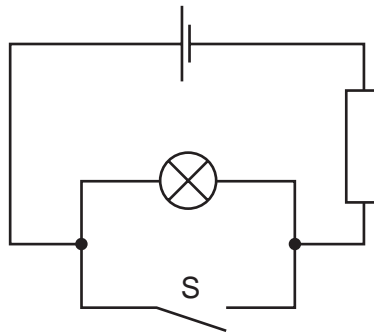
	ammeter reading	voltmeter reading
A	decreases	decreases
B	decreases	stays constant
C	increases	decreases
D	increases	stays constant

- 39 An electric fire draws a current of 10 A. Fuses are available rated at 5 A and 13 A.

Which fuse rating should be used with this electric fire, and where should it be fitted in the circuit?

	fuse rating	where in circuit
A	5 A	live wire
B	5 A	neutral wire
C	13 A	live wire
D	13 A	neutral wire

40 The diagram shows a circuit.



What happens to the lamp when switch S is closed?

- A It does not light at all.
- B It lights and then blows.
- C It lights more brightly.
- D It lights more dimly.

DATA SHEET
The Periodic Table of the Elements

		Group																											
		I	II	III	IV	V	VI	VII	0																				
		1 H Hydrogen 1																											
7	9	Li Lithium 3	Be Beryllium 4																										
23	24	Na Sodium 11	Mg Magnesium 12																										
39	40	K Potassium 19	Ca Calcium 20	45 Sc Scandium 21	48 Ti Titanium 22	51 V Vanadium 23	52 Cr Chromium 24	55 Mn Manganese 25	56 Fe Iron 26	59 Co Cobalt 27	59 Ni Nickel 28	64 Cu Copper 29	65 Zn Zinc 30	70 Ga Gallium 31	73 Ge Germanium 32	75 As Arsenic 33	79 Se Selenium 34	80 Br Bromine 35	84 Kr Krypton 36										
85	88	Rb Rubidium 37	Sr Strontium 38	89 Y Yttrium 39	91 Zr Zirconium 40	93 Nb Niobium 41	96 Mo Molybdenum 42	101 Ru Ruthenium 44	101 Rh Rhodium 45	106 Pd Palladium 46	108 Ag Silver 47	112 Cd Cadmium 48	115 In Indium 49	115 Sn Tin 50	119 Sb Antimony 51	122 Te Tellurium 52	127 I Iodine 53	131 Xe Xenon 54											
133	137	Cs Caesium 55	Ba Barium 56	139 La Lanthanum 57	178 Hf Hafnium 72	181 Ta Tantalum 73	184 W Tungsten 74	190 Os Osmium 76	192 Ir Iridium 77	195 Pt Platinum 78	197 Au Gold 79	201 Hg Mercury 80	204 Tl Thallium 81	207 Pb Lead 82	209 Bi Bismuth 83	210 Po Polonium 84	210 At Astatine 85	210 Rn Radon 86											
	226	Fr Francium 87	Ra Radium 88	227 Ac Actinium 89																									
		*58-71 Lanthanoid series										†90-103 Actinoid series																	
		<table border="1" style="display: inline-table; border-collapse: collapse; text-align: center;"> <tr> <td style="width: 10px;">a</td> <td style="width: 10px;">X</td> </tr> <tr> <td style="width: 10px;">b</td> <td style="width: 10px;"></td> </tr> </table>										a	X	b		a = relative atomic mass X = atomic symbol b = proton (atomic) number													
a	X																												
b																													
		140 Ce Cerium 58	141 Pr Praseodymium 59	144 Nd Neodymium 60	144 Pm Promethium 61	150 Sm Samarium 62	152 Eu Europium 63	157 Gd Gadolinium 64	159 Tb Terbium 65	162 Dy Dysprosium 66	165 Ho Holmium 67	167 Er Erbium 68	169 Tm Thulium 69	173 Yb Ytterbium 70	175 Lu Lutetium 71	232 Th Thorium 90	232 Pa Protactinium 91	238 U Uranium 92	238 Np Neptunium 93	238 Pu Plutonium 94	238 Am Americium 95	238 Cm Curium 96	238 Bk Berkelium 97	238 Cf Californium 98	238 Es Einsteinium 99	238 Fm Fermium 100	238 Md Mendelevium 101	238 No Nobelium 102	238 Lr Lawrencium 103

The volume of one mole of any gas is 24 dm³ at room temperature and pressure (r.t.p.).

Permission to reproduce items where third-party owned material protected by copyright is included has been sought and cleared where possible. Every reasonable effort has been made by the publisher (UCLES) to trace copyright holders, but if any items requiring clearance have unwittingly been included, the publisher will be pleased to make amends at the earliest possible opportunity.

University of Cambridge International Examinations is part of the Cambridge Assessment Group. Cambridge Assessment is the brand name of University of